



### Technical Specifications

#### Electrical

Connection type	Direct connected
Wiring configuration	3 phase 4 wire
Reference Voltage	3x240V
Current Rating	40 - 200 A
Starting Current	0.4 % of I <sub>b</sub>
Accuracy	Class 1.0
Main frequency	50 Hz ±5%
Burden	As per standards
Insulation class	4 kV
Impulse withstand	6 kV

#### Approvals

Standards compliance	IS13779/1999, IEC62053-21
----------------------	---------------------------

#### Mechanical

Dimensions (WXHXD)	346.6 x 290.2 x 204.7 mm (approx.)
Weight	9.4 kg approx including metal frame and packing
Enclosure	Double insulated glass-filled polycarbonate
Terminals	Thread through design suitable up to 200 A current
Sealing	Sealing screws provision for meter, optical port & SIM card

#### Environmental

Ingress protection	IP 54
Temperature	-10 °C to +55 °C (operating)   -25 °C to +70 °C (storage)
Humidity	95% non-condensing

#### Features

Tariff zones (TOD)	8 zones (programmable)
MD integration period	15 minutes / 30 minutes
Load survey	45 days with 30 minute integration period
Communication	Optical port, RS232, GSM & GPRS

### Integrated Meter with GSM / GPRS Communication

Integrated Meter GSM / GPRS offers fast data transfer for consumer tariff and DT metering installations through GSM / GPRS communication network. It can send SMS alerts for anomalies, facilitating prompt action from the utility.

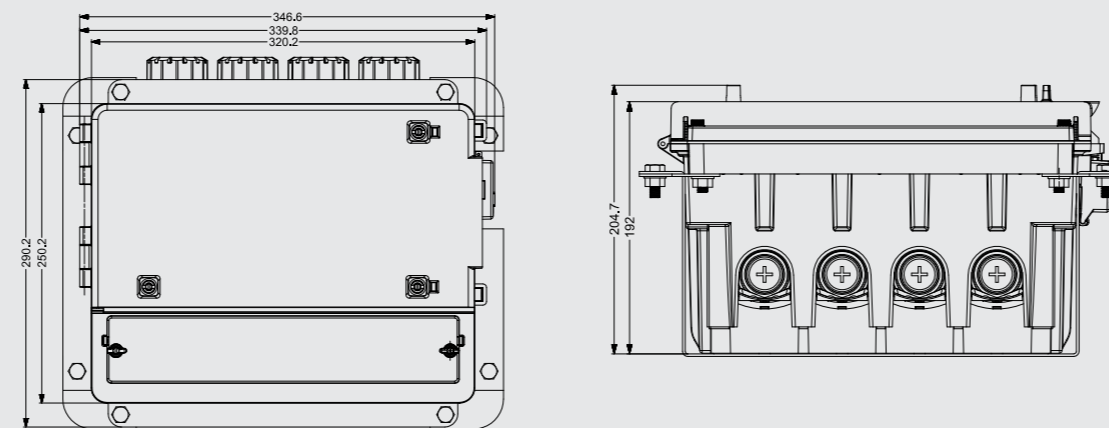


### Energy Register

- Active Energy
- Apparent Energy
- Reactive Energy Lead
- Reactive Energy Lag

### Features

- Composite Metering unit for LTCT segment
- No need for external CTs, meter box and accessories
- Product accuracy class - 1.0
- Wide current range, 40-200A
- Thread-through meter - cable passes through meter
- Tamper detection - voltage, current, magnetic influences
- Load Profile
- Event Recording- As per IS:15959
- Communication options-
  - Optical Port
  - Inbuilt GSM/GPRS Modem
- Scheduled data transfer on demand
- Event based downloading threw SMS
- Power failure alerts to customers via SMS
- SMS alerts for tamper events (Optional)
- IP 54 compliant
- SMS features available
- LED status for network identification
- 3 Volts sim interface



HEPL LONG RANGE METER/02-23



**HPL Electric & Power Ltd**  
 Corp. Office: Windsor Business Park, B-1D,  
 Sector-10, Noida, U.P. - 201301, INDIA.  
 Tel.: +91-120-4656300, Fax: +91-120-4656333  
 Registered Office: 1/20, Asaf Ali Road, New Delhi - 110 002, INDIA.  
 E-mail: hpl@hplindia.com

Customer Care No. :  
18004190198

www.hplindia.com

• This document is not a contract • As part of our continuous improvement processes the specifications are subject to change without prior notice



## Long Range Integrated CT Meter (with inbuilt GSM/GPRS Modem)

40-200A  
PPEM25 Series



ISI Mark as per IS : 13779:1999  
Conformance to  
DLMS / COSEM (IEC-62056)





## Technical Specifications

### Electrical

Connection type	Direct connected
Wiring configuration	3 phase 4 wire
Reference Voltage	3x240V
Current Rating	40 - 200 A
Starting Current	0.4 % of $I_b$
Accuracy	Class 1.0
Main frequency	50 Hz $\pm$ 5%
Burden	As per standards
Insulation class	4 kV
Impulse withstand	6 kV

### Approvals

Standards compliance	IS13779:1999, IEC62053-21, IEC62052-11
----------------------	--

### Mechanical

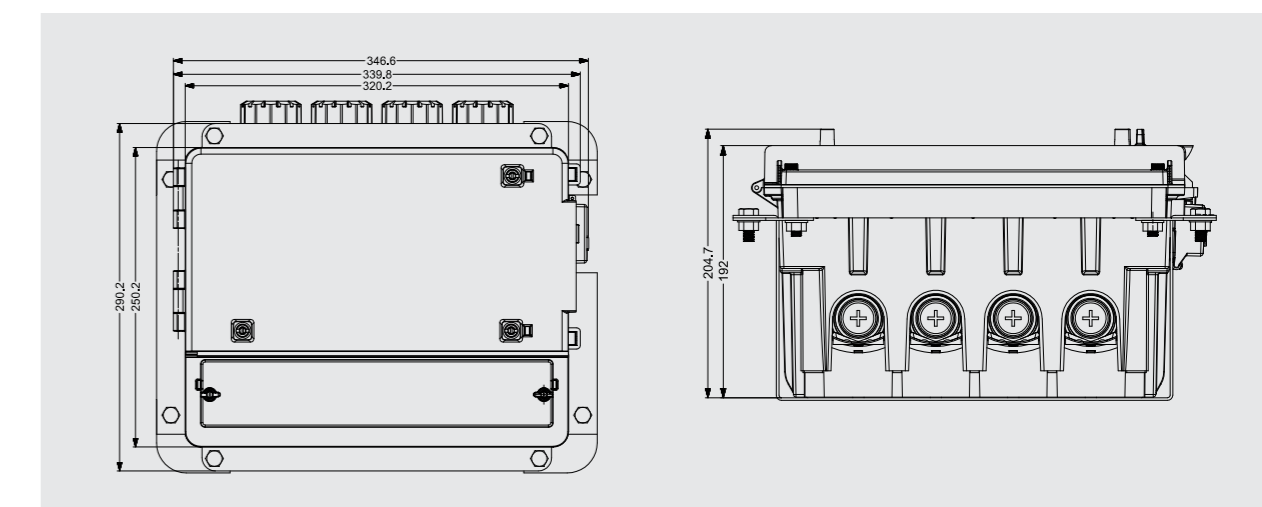
Dimensions (WXHxD)	346.6 x 290.2 x 204.7 mm (approx.)
Weight	9.4 kg approx including metal frame and packing
Enclosure	Double insulated glass-filled polycarbonate
Terminals	Thread through design suitable up to 200 A current

### Environmental

Ingress protection	IP 54
Temperature	-10 °C to +55 °C (operating)   -25 °C to +70 °C (storage)
Humidity	95% non-condensing

### Features

Tariff zones (TOD)	8 zones (programmable)
MD integration period	15 minutes / 30 minutes
Load survey	45 days with 30 minute integration period
Communication	Optical Port, RS232



## Integrated Meter

Integrated Meter offers revenue protection features for consumer tariff applications including anomaly detection. It is a composite unit operating over a current range from 40-200A through built-in CTs. It has an optical as well as hard wire RS232 communication ports.



## Integrated Meter

Integrated Meter is a composite metering unit specially designed for Low Tension Current Transformer (LTCT) segment. It offers load profiling and anomaly detection for consumer tariff applications and energy audit. Integrated Meter is suitable for distribution transformer (DT), industrial and commercial metering segments.



## Energy Register

- Active Energy
- Apparent Energy
- Reactive Energy Lead
- Reactive Energy Lag

## Features

- No need of external CT, meter box and accessories
- Product accuracy class - 1.0
- Wide current range, 40-200A
- Thread-through meter- cable passes through meter
- Tamper detection- voltage, current, magnetic influences
- Load Profile
- Events recording -
  - High/ Low Voltage
  - Under/ Over load
  - No/ Partial/ Full supply / Power ON - OFF
- High resolution energy registers
- Individuals LED for kWh & kVAh
- Time of day registers for kWh, kVAh, KW MD, kVAMD.
- Communication options -
  - Optical Port & Rs232
- IP 54 compliant

## Integrated Meter with GSM/GPRS Communication

Integrated Meter with built-in GSM / GPRS enables meter data transfer to the central station through GSM / GPRS communication network. The data transfer occurs at a fast speed and is based on a pre-defined schedule.

